

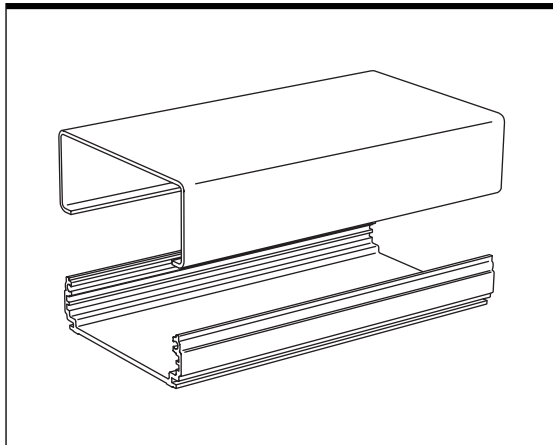
# C Style MicroPak™ Enclosures

Technical Data



Extruded base with formed, slide-on cover

WEB/FAX DOCUMENT



## C Style Extruded Base/Cover

**Sizes (widths/heights):** Below  
**Enclosure cross sections:** Page 2  
**Drawings/dimensions:** Pages 3-7  
**Materials/finishes:** Pages 3-6

### Widths and heights:

C Style is available in seven standard sizes as defined by height and width combinations tabulated below. Standard lengths for each size are shown on pages 7 and 8. Other lengths are made to order.

#### Inch Dimensions (in)

HEIGHT	WIDTH	N	Q	E	T	W
		2.75	4.17		5.57	7.29
.75						
1.12	▪					
1.52			▪		▪	▪
2.52			▪		▪	▪
PCB Width		2.51	3.89	3.94 Euro card	5.28	7.00

#### Metric Dimensions (mm)

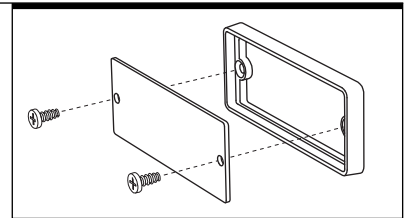
HEIGHT	WIDTH	N	Q	E	T	W
		69.8	106.0		141.4	185.0
19.1						
28.5	▪					
38.6			▪		▪	▪
64.0			▪		▪	▪
PCB Width		63.7	98.8	100 Euro card	134.1	177.8

## End Configuration Options

### End Panel / Thinline Bezel:

Two piece. Aluminum panel recessed into molded bezel.

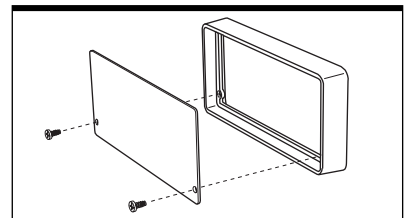
Page 4 – N Width  
 Page 6 – Q, E, T, W Widths



### End Panel / Security Bezel:

Two piece. Aluminum panel deeply recessed into molded ABS bezel. (Available T and W only.)

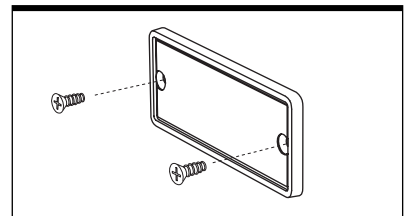
Page 4 – N Width  
 Page 6 – Q, E, T, W Widths



### Solid End Cap:

One piece. Molded polycarbonate end. (Available N only.)

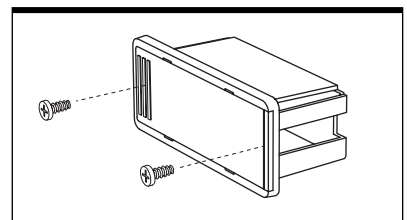
Page 4 – N Width  
 Page 6 – Q, E, T, W Widths



### Battery Compartment:

Houses 9-volt battery. Molded polycarbonate. (Fits N2. Can be used with other sizes.)

Page 4 – N Width



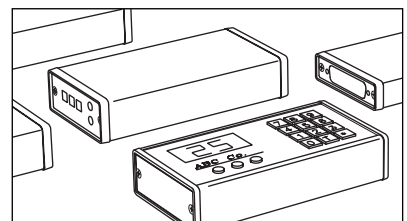
## Model Number Designation:



Model numbers for standard enclosures.

Model and part numbers for customized enclosures and parts.

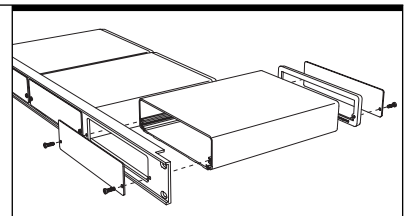
Page 8

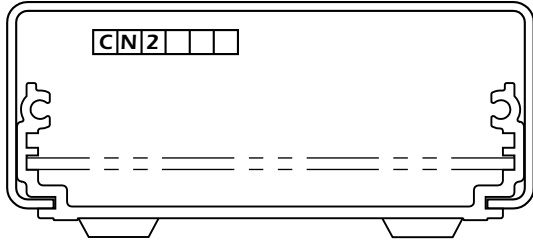


## Accessories:

Rack mount panels.

Page 9

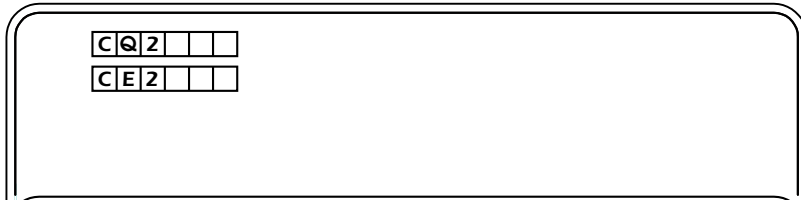




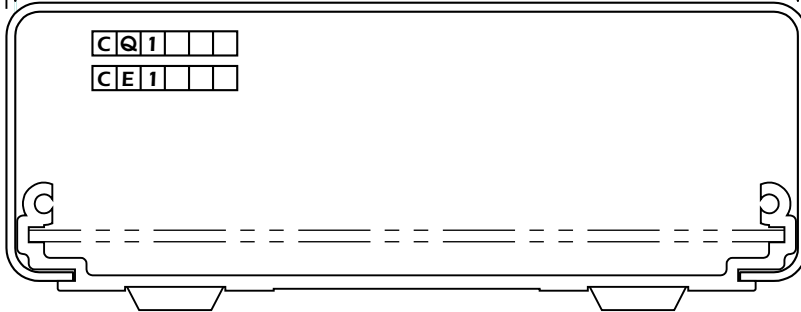
**N Width**  
PCB width = 2.51 (63.7)

**Enclosure Cross Sections:**

The cross section of each size of enclosure is shown. The recommended printed circuit board widths are referenced.

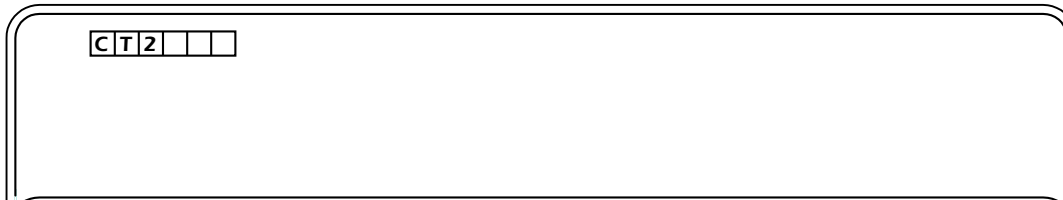


**Q Width**  
PCB width = 3.89 (98.8)

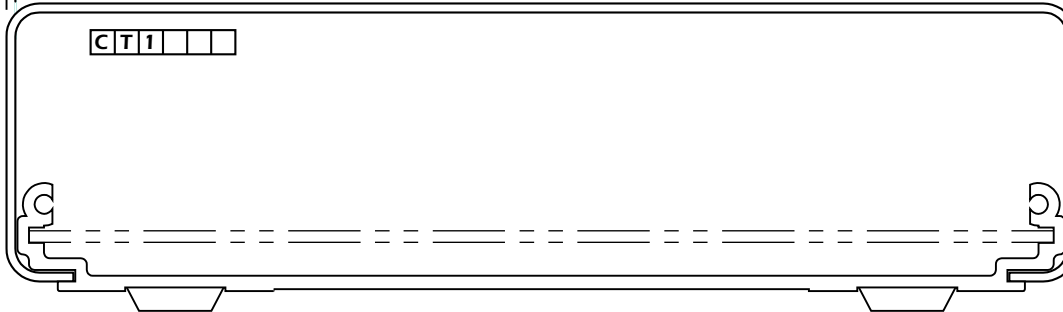


**E Width**  
PCB width = 3.94 (100.0)  
Accepts 100 mm Eurocards.

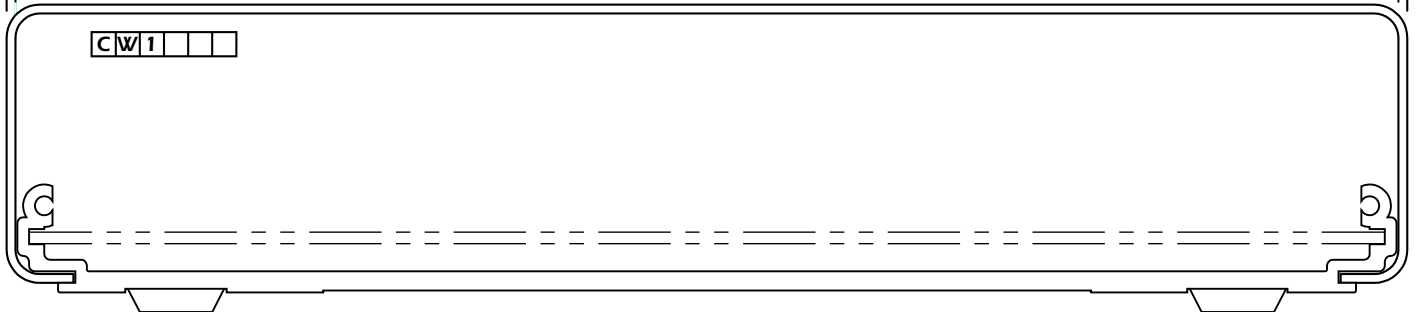
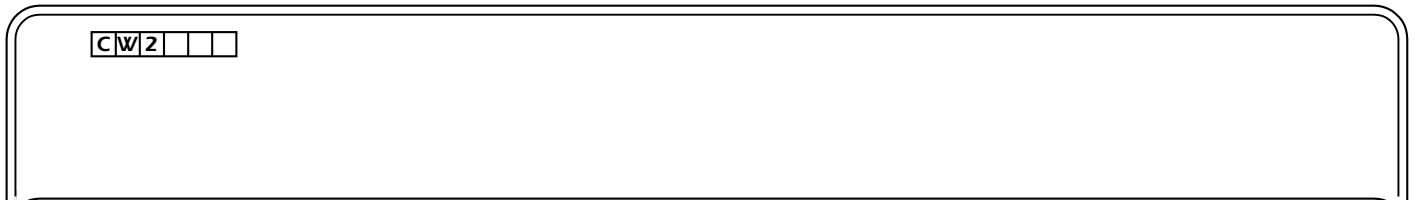
Note: Q and E Widths have identical profiles. They differ only in the width of the extruded PCB track. The track in the E base is modified to accept 100 mm Eurocards.

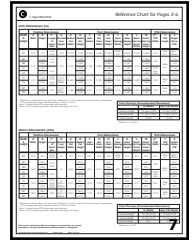
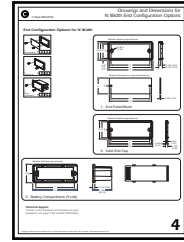
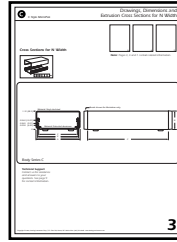


**T Width**  
PCB width = 5.28 (134.1)

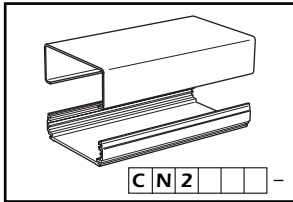


**W Width**  
PCB width = 7.00 (177.8)

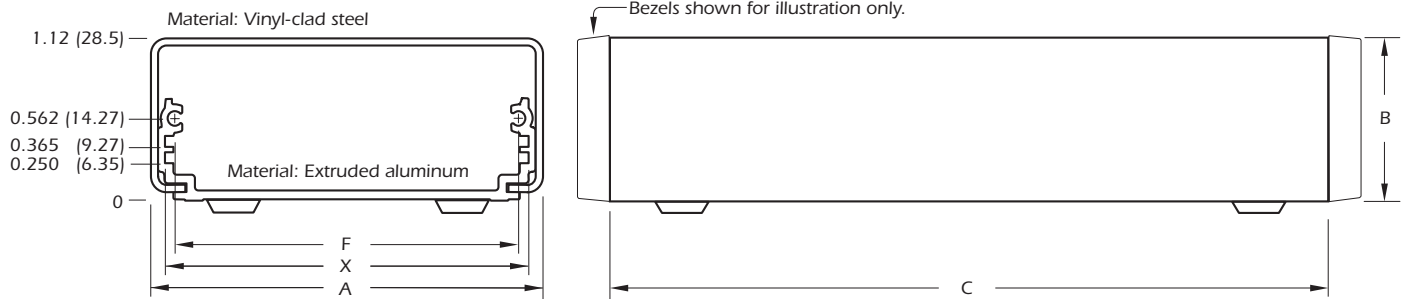




## Cross Sections for N Width



**Note:** Pages 3, 4 and 7 contain related information.



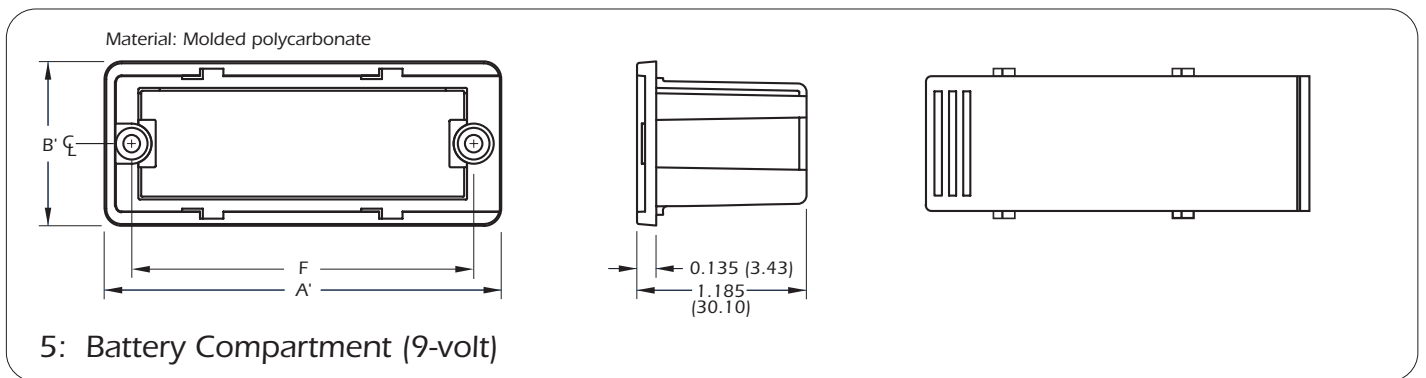
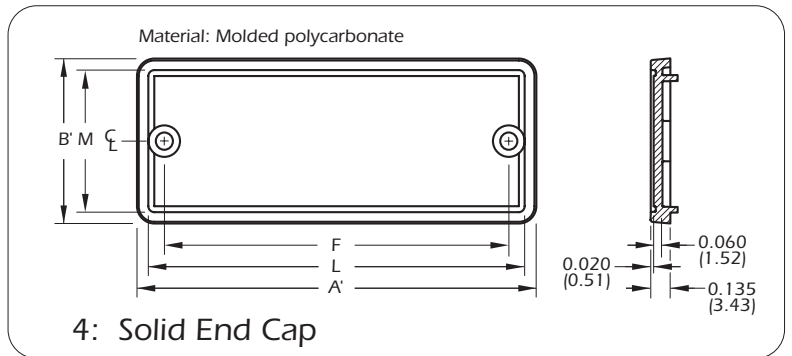
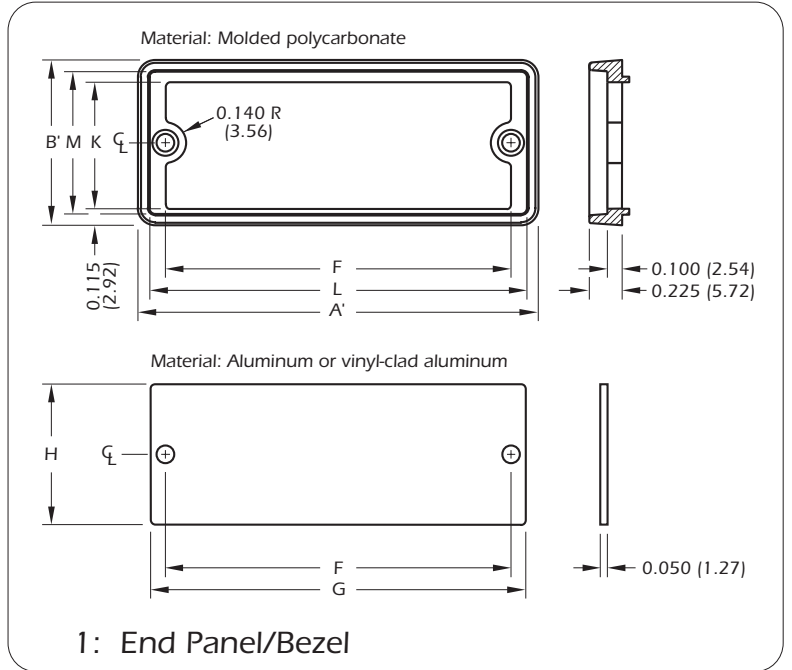
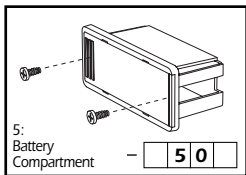
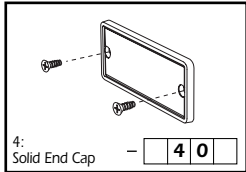
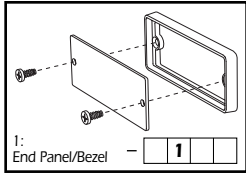
## Body Series C

### Technical Support

Contact us for assistance and answers to your questions. See page 9 for contact information.

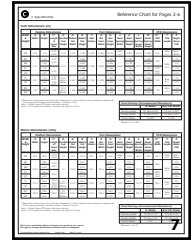
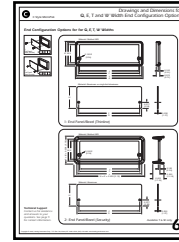
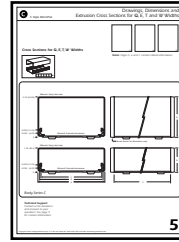


## End Configuration Options for N Width

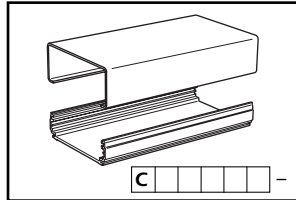


### Technical Support

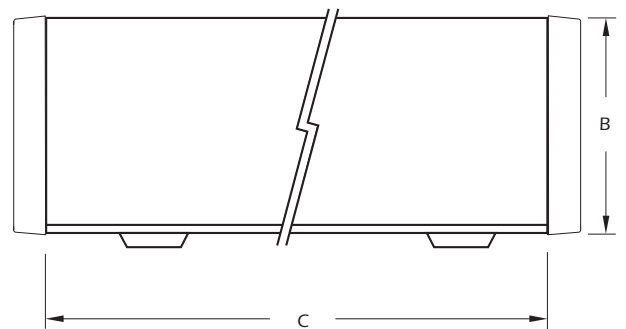
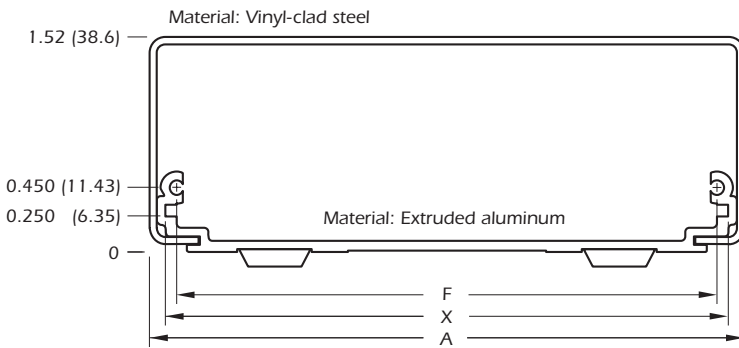
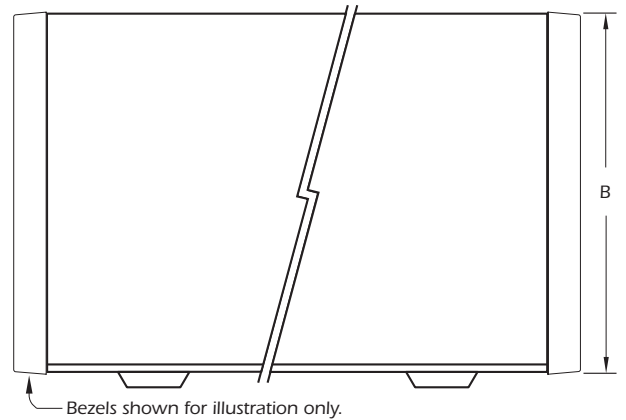
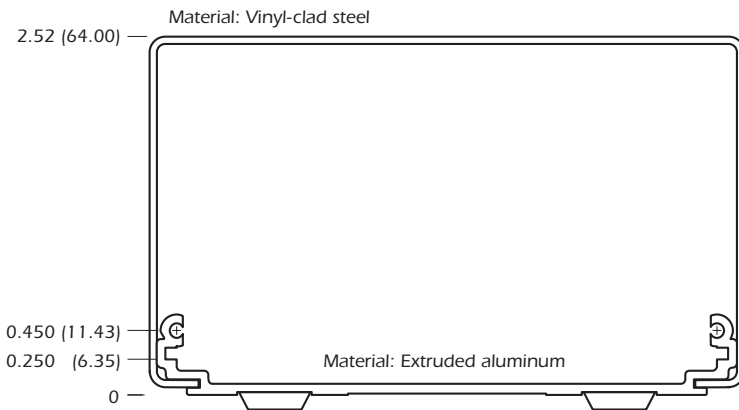
Contact us for assistance and answers to your questions. See page 9 for contact information.



## Cross Sections for Q, E, T, W Widths



**Note:** Pages 5, 6 and 7 contain related information.

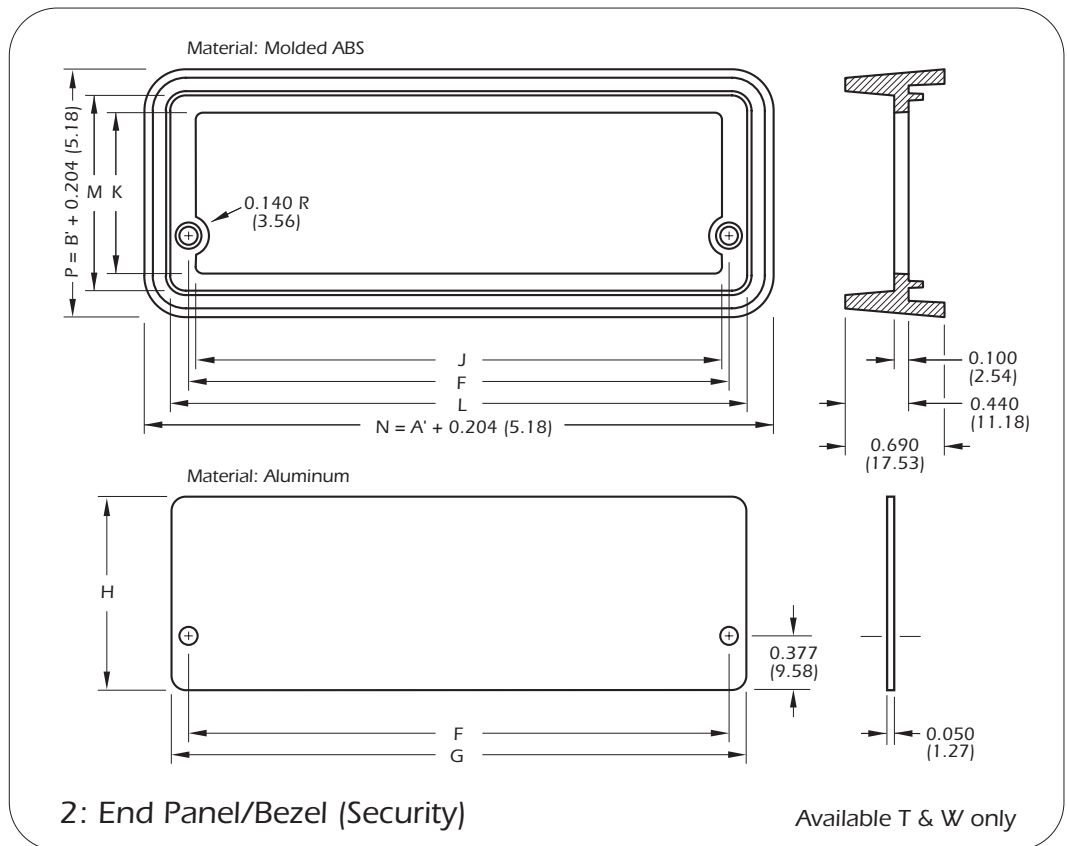
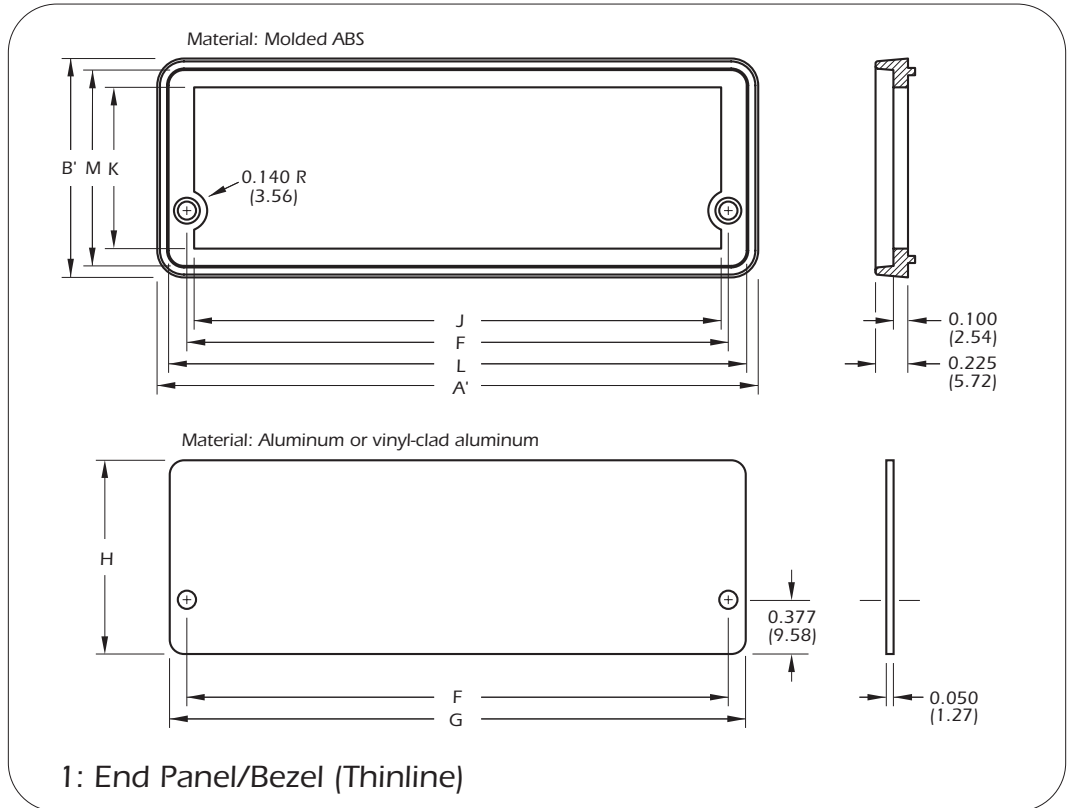
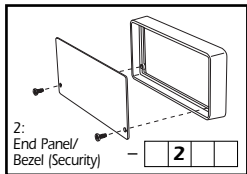
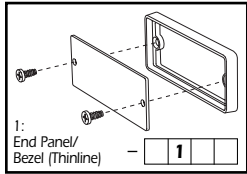


## Body Series C

**Technical Support**  
 Contact us for assistance and answers to your questions. See page 9 for contact information.



## End Configuration Options for for Q, E, T, W Widths



**Technical Support**  
 Contact us for assistance and answers to your questions. See page 9 for contact information.



**Inch Dimensions (in)**

Width & Height	Outline Dimensions				Part Dimensions									PCB Dimensions		
	A Width	B Height	C* Length of Cover/Base	D Non-Skid Foot Height	A' Molded Part Width	B' Molded Part Height	F Hole Centers	G End Panel Width	H End Panel Height	J Bezel Opening Width	K Bezel Opening Height	L Bezel/End Cap Recess Width	M Bezel/End Cap Recess Height	X** PCB Width	Y PCB Length	Z Height Above PCB
N2	2.75	1.12	5.00 6.00	0.10	2.770	1.144	2.390	2.596	0.970	Same as F	0.874	2.610	0.984	2.51	Same as C	Note 1 Below
Q1	4.17	1.52	5.00 6.00	0.12	4.174	3.760	4.000	3.660	3.660	1.120	4.014	1.360	2.360	3.89	Same as C	1.15
Q2		2.52														6.30
E1		1.52	1.360													
E2		2.52	2.360													2.15
T1	5.57	1.52	5.00 6.00	0.12 Note 2 Below	5.569	1.520	5.155	5.395	5.055	1.120	5.409	1.360	2.360	5.28	Same as C	1.15
T2		2.52	7.00 8.50													2.15
W1	7.29	1.52	9.00	0.12 Note 2 Below	7.285	1.520	6.871	7.111	6.771	1.120	7.125	1.360	2.360	7.00	Same as C	1.15
W2		2.52														2.15

\*Dimensions shown above are stock sizes. Dimension C can be varied to meet customer requirements.  
 \*\*Clear opening between extrusion details = X minus 0.23 in.  
 Note 1: Height above PCB varies with track selected.  
 Note 2: For security bezel option, non-skid foot height is 0.23 in.

Panel Overlays (Recommended Dimensions)		
	N Width	Q,E,T,W Width
Overlay Height	"H" plus 0.010	"H" plus 0.007
Overlay Width	"G" plus 0.010	"G" plus 0.007
Corner Radius	0.038	0.104

Tolerance = ± 0.005

**Metric Dimensions (mm)**

Width & Height	Outline Dimensions				Part Dimensions									PCB Dimensions		
	A Width	B Height	C* Length of Cover/Base	D Non-Skid Foot Height	A' Molded Part Width	B' Molded Part Height	F Hole Centers	G End Panel Width	H End Panel Height	J Bezel Opening Width	K Bezel Opening Height	L Bezel/End Cap Recess Width	M Bezel/End Cap Recess Height	X** PCB Width	Y PCB Length	Z Height Above PCB
N2	69.8	28.5	127.0 152.4	2.5	70.4	29.0	60.7	65.9	24.6	Same as F	22.2	66.3	25.0	63.7	Same as C	Note 1 Below
Q1	106.0	38.6	127.0 152.4	3.1	106.0	95.5	101.6	93.0	93.0	28.4	53.8	102.0	34.5	98.8	Same as C	29.2
Q2		64.0														160.0
E1		38.6	34.5													
E2		64.0	59.9													54.6
T1	141.4	38.6	127.0 152.4	3.1 Note 2 Below	141.4	38.6	130.9	137.0	128.4	28.4	53.8	137.4	34.5	134.1	Same as C	29.2
T2		64.0	177.8 215.9													54.6
W1	185.0	38.6	228.6	3.1 Note 2 Below	185.0	38.6	174.5	180.6	172.0	28.4	53.8	181.0	34.5	177.8	Same as C	29.2
W2		64.0														59.9

\*Dimensions shown above are stock sizes. Dimension C can be varied to meet customer requirements.  
 \*\*Clear opening between extrusion details = X minus 5.8 mm.  
 Note 1: Height above PCB varies with track selected.  
 Note 2: For security bezel option, non-skid foot height is 5.8 mm.

Panel Overlays (Recommended Dimensions)		
	N Width	Q,E,T,W Width
Overlay Height	"H" plus 0.25	"H" plus 0.18
Overlay Width	"G" plus 0.25	"G" plus 0.18
Corner Radius	0.97	2.64

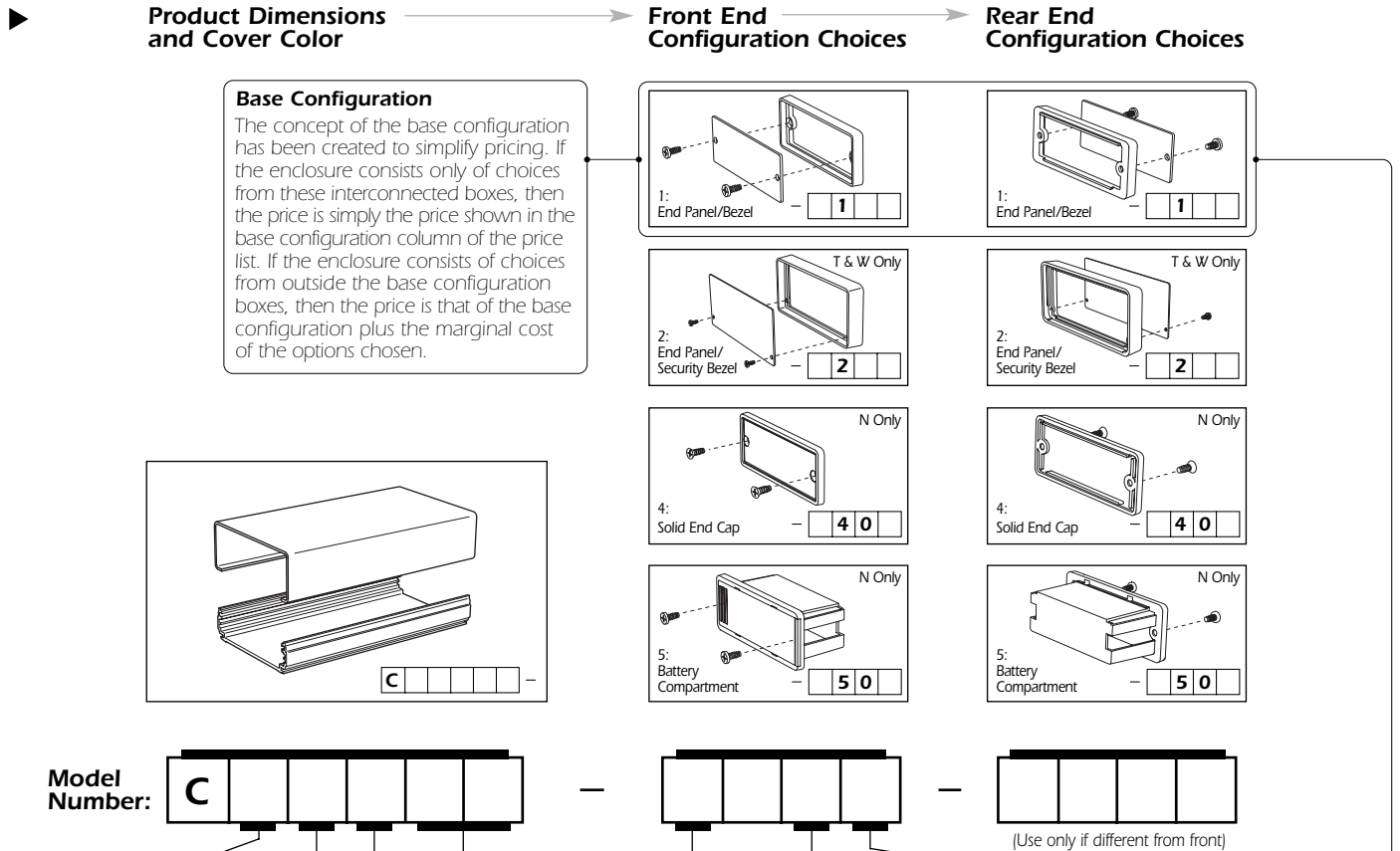
Tolerance = ± 0.12

Due to our continuing efforts to enhance our products, we reserve the right to change specifications without notice or obligation.



## Model Numbers for Standard Enclosures:

Make your configuration selections and transfer the alpha-numeric codes to the appropriate boxes in the model number below. Fill in any empty boxes with choices from the tables. The resulting model number completely specifies the C Style MicroPak of your choice. The price of this model number can be found on page 1 of our separate MicroPak Price List. Ordering information can be found on page 5 of that same document.



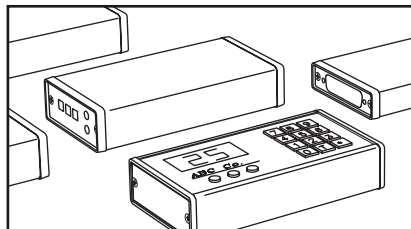
Dimensions - inch (metric)		
Width	Height	Length
<b>N</b> = 2.75 (69.8)	<b>2</b> = 1.12 (28.5)	<b>50</b> = 5.00 (127.0) <b>60</b> = 6.00 (152.4)
<b>Q</b> = 4.17 (106.0)	<b>1</b> = 1.52 (38.6) <b>2</b> = 2.52 (64.0)	<b>50</b> = 5.00 (127.0) <b>60</b> = 6.00 (152.4) <b>63</b> = 6.30 (160.0)
<b>E</b> = 4.17 (106.0)*		
<b>T</b> = 5.57 (141.4)	<b>1</b> = 1.52 (38.6) <b>2</b> = 2.52 (64.0)	<b>50</b> = 5.00 (127.0) <b>60</b> = 6.00 (152.4) <b>70</b> = 7.00 (177.8) <b>85</b> = 8.50 (215.9)
<b>W</b> = 7.29 (185.0)	<b>1</b> = 1.52 (38.6) <b>2</b> = 2.52 (64.0)	<b>90</b> = 9.00 (228.6)
*E accepts 100-mm Eurocards (otherwise identical to Q)		

Color Choices	
<b>Cover</b>	<b>Bezel, End Cap, Battery Comp.</b>
<b>P</b> = Pearl White	= <b>P</b>
<b>E</b> = Pebble Gray	= <b>E</b>
<b>*</b> = Shale Gray	= <b>S</b>
<b>T</b> = Platinum	= <b>T</b>
<b>G</b> = Medium Gray	= <b>G</b>
<b>B</b> = Black	= <b>B</b>
<b>*</b> = Nickel Acrylic	= <b>N</b>
* Not available	

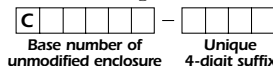
End Panel Choices		
<b>Aluminum</b>		
<b>A</b> = Clear Anodize	}	
<b>C</b> = Clear Iridite		
<b>B</b> = Black Anodize		
<b>R</b> = Raw Aluminum with vinyl protection	}	
<b>Vinyl-clad Aluminum</b>		
<b>P</b> = Pearl White		
<b>E</b> = Pebble Gray		
<b>T</b> = Platinum		
<b>G</b> = Medium Gray		
<b>K</b> = Black		
<b>X</b> = No end panel		

Screw Choices	
<b>Standard (3/8" long)</b>	
<b>1*</b> = Pan Head	Silver
<b>2*</b> = Pan Head	Black
<b>3</b> = Flat Head	Silver
<b>4</b> = Flat Head	Black
<b>Optional (5/8" long)</b>	
<b>6*</b> = Pan Head	Silver
<b>7*</b> = Pan Head	Black
<b>8</b> = Flat Head	Silver
* Not available on end configurations "4" and "5"	

## Model and Part Numbers for Customized Enclosures and Parts:

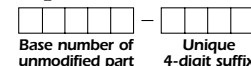


Each **customized enclosure** is assigned a model number in the following format:



Associated with this model number is a bill of materials that identifies each individual part, standard or customized, making up the complete unit. Customized enclosures may be ordered by this model number or by individual part numbers.

Each **customized part** is assigned a part number in the following format:

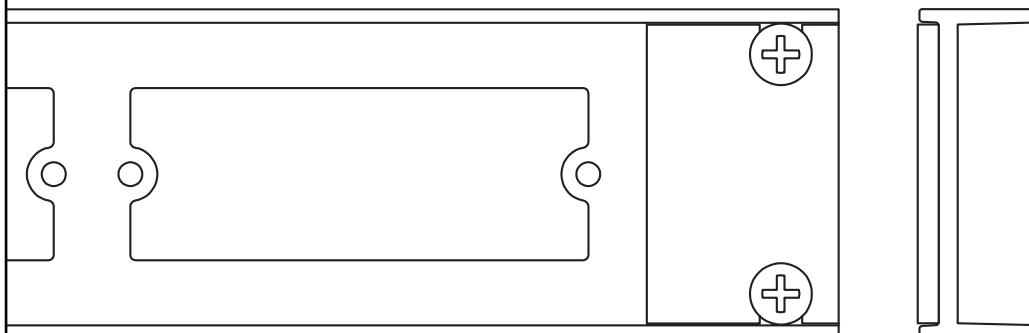


This number is assigned when an order is placed. A master drawing, used for manufacture and inspection, is then created for each part. This drawing is submitted for customer approval before the part can be manufactured.



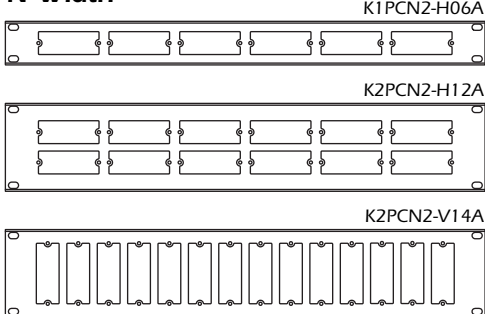
## Rack Mount Panels

All MicroPak Enclosures can be mounted in a standard 19-inch rack by using a Rack Mount Panel. The 14 stock varieties of Rack Mount Panels for mounting C Style plus two sizes of blank panel are shown below. Other configurations are available on special order. The model number associated with each variety is for a clear anodize finish. For black anodize, change the last "A" to a "B".

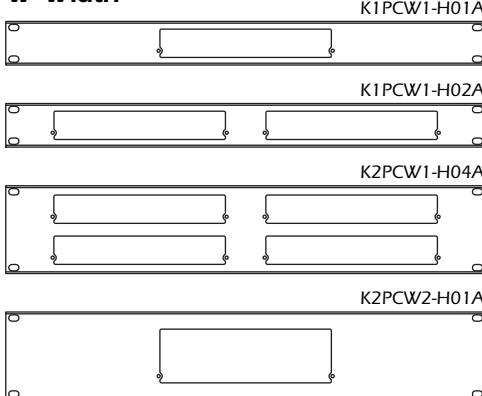


Detail from Model K1PCN2-H06A (seen below) and extrusion cross section. Also shown is one of two required spacers that are included with each Rack Mount Panel.

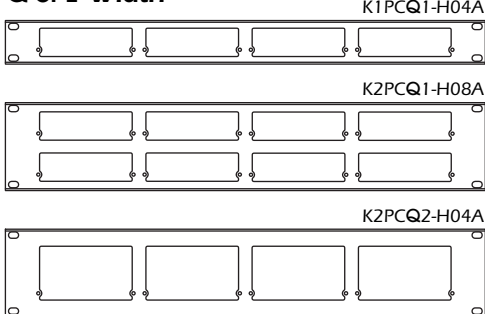
### N Width



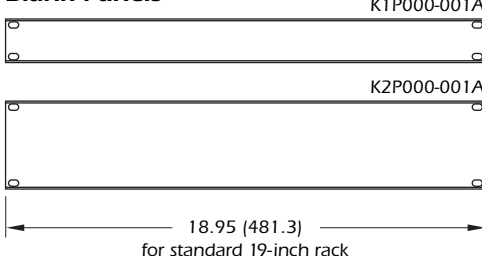
### W Width



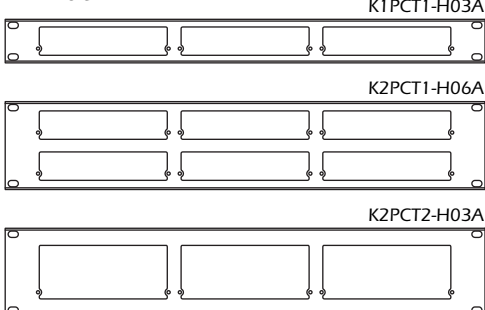
### Q or E Width



### Blank Panels



### T Width

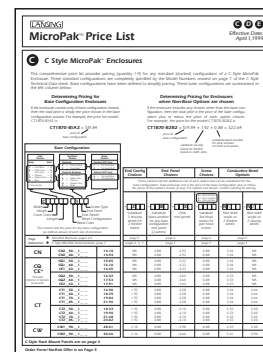


Note:  
Pricing for these Rack Mount Panels can be found on page 4 of our separate MicroPak Price List. Ordering information can be found on page 5 of that same document.

Refer to our **MicroPak Brochure** for detailed narrative and full-color photos.



**Price List**  
Find MicroPak prices.



**Order Form/Sample Offer**  
Place an order or purchase a sample MicroPak at a special introductory no-risk offer price.

**Technical Support**  
Contact us for assistance and answers to your questions.

## How to Contact Lansing

**Phone:**  
800-847-3535  
Anywhere in the U.S. or Canada  
607-272-3265

**Fax:**  
607-277-1953

Visit our website:  
[www.lansing-enclosures.com](http://www.lansing-enclosures.com)

**E-mail:**  
[info@lansing-enclosures.com](mailto:info@lansing-enclosures.com)

**Mail:**  
Lansing Instrument Corp.  
PO Box 730  
Ithaca, NY 14851-0730

