

ALL HOLES/SHAPES ARE MIRRORED ABOUT EXTRUSION BODY VERTICAL CENTERLINE EXCEPT TUBE BIAS ADJUST HOLES

R3/32" (TYPICAL FOR ALL SLOTS)

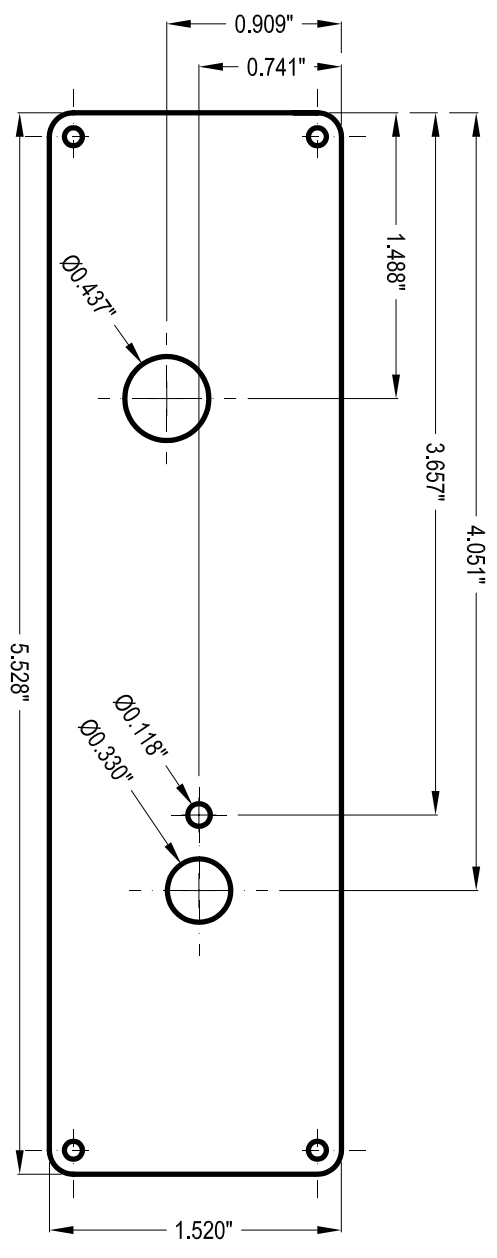
TUBE BIAS ADJUST HOLES

0.325" (TYPICAL)

0.575" (TYP FOR 16)

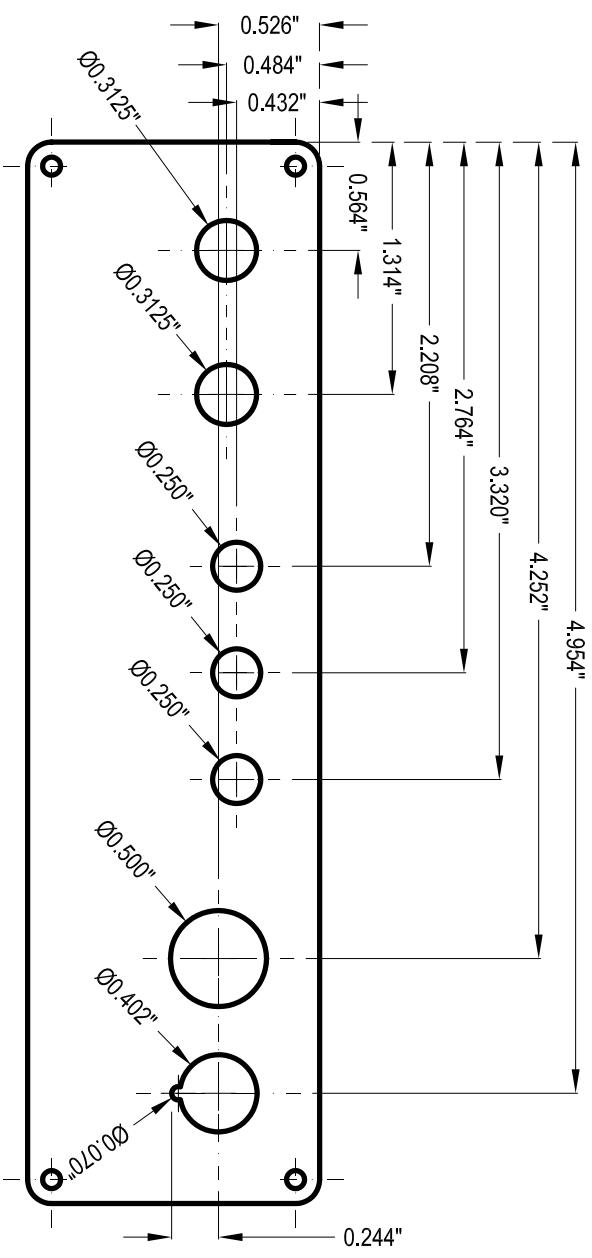
### DRILL PATTERN - EXTRUDED BODY TOP

FULL SCALE



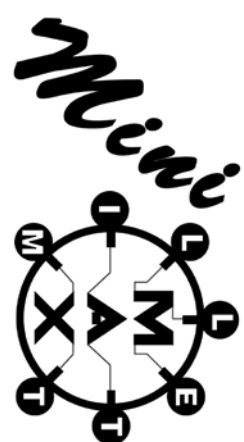
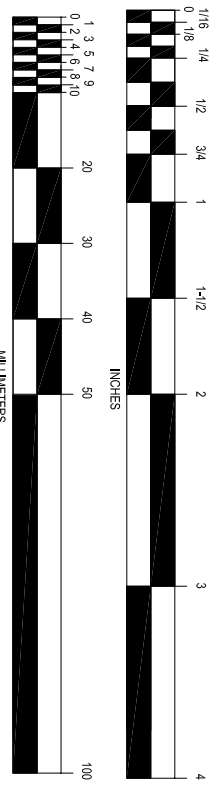
### DRILL PATTERN - FRONT PLATE

FULL SCALE



### DRILL PATTERN - BACK PLATE

FULL SCALE



Millett Hybrid MiniMAX Headphone Amplifier  
704 Horse Ferry Rd., Lawrenceville, GA 30044

Drill Pattern

beezar.com  
home of TooleAudio and the Millett MAX



PROJECT #: MiniMAX-1  
DATE: 9/16/2008  
PROJ. OFFICER: TMB  
DRAWN BY: TMB  
CHECKED BY: TMB  
DRAWING #: 2  
OF: 3  
R3.0  
M002